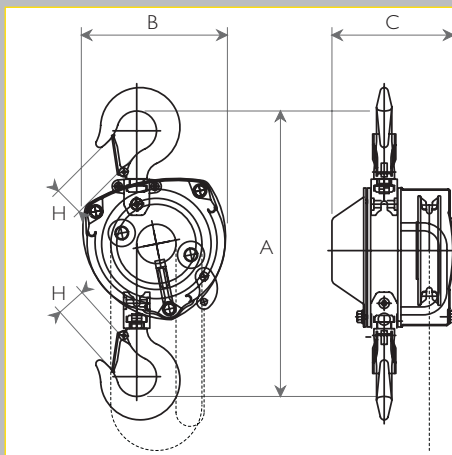
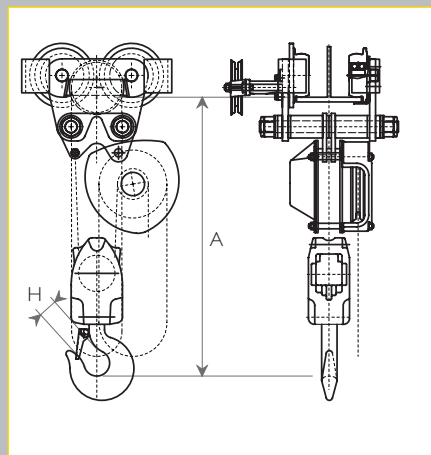


## Technical Data & Dimensions

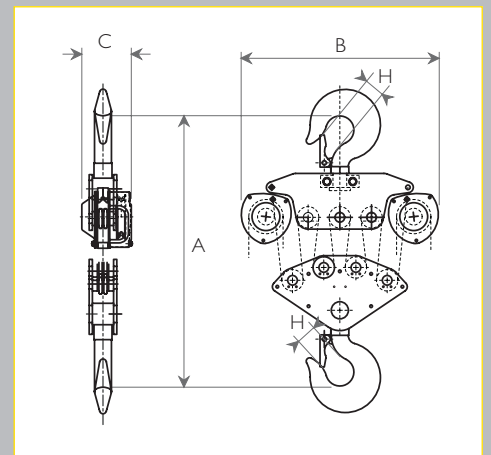
Capacity kg	500	1000	1500	2000	2000	2500	3000	5000	8000	10000	16000	20000
Number of falls of load chain	1	1	1	2	1	1	3	2	3	4	6	8
<b>Dimensions</b>												
<b>A</b> Hook suspension	295	360	360	450	450	450	530	720	810	840	1065	1120
Close-lift (ranges 1&2)	300	345	345	465	425	425	500	660	775	800	-	-
Close-lift (range 3)	340	385	385	505	470	470	565	725	775	800	-	-
Hung-in (164 trolley, ranges 1&2)	365	430	430	550	530	530	650	840	970	1000	1285	1340
Hung-in (164 trolley, range 3)	405	470	470	590	575	575	715	905	1060	1090	1285	1340
<b>B</b>	155	180	180	180	238	238	268	280	420	470	600	920
<b>C</b>	144	153	153	153	209	209	153	209	220	220	220	220
<b>H</b>	27	32	32	32	38	38	37	38	55	60	75	85
<b>Hung-in and close-lift units</b>												
Track width range 1	58-140	58-140	58-140	-	90-153	90-153	126-166	126-166	154-192	154-192	154-192	154-192
range 2	140-210	140-210	140-210	-	153-216	153-216	166-210	166-210	192-229	192-229	192-229	192-229
range 3	210-305	210-305	210-305	-	216-305	216-305	210-305	210-305	229-305	229-305	229-305	229-305
Minimum clear depth of track	127	127	127	-	152	152	203	203	203	203	203	203
Minimum radius of track curve	1.5	1.5	1.5	-	1.5	1.5	1.8	1.8	3.0	3.0	-	-
Weight: hook suspension unit chain for standard 3m hook-to-hook kg	10	13	13	14	29	29	27	55	67	99	178	220
Additional weight for extra of lift, per metre kg	1.4	1.8	1.8	3.6	3.5	3.5	3.6	5.7	8	10	14.5	20
Effort on hand chain to raise working load kg	23	26	39	26	33	41	31	41	46	40	40	46x2
Velocity ratio (movement of chain relative to load chain)	27:1	45:1	45:1	90:1	78:1	78:1	135:1	156:1	234:1	312:1	468:1	624:1
Safety factor	5:1	5:1	4:1	5:1	5:1	4:1	5:1	4:1	4:1	4:1	4:1	4:1



**Hook Suspension**



**Built In Trolley**



**20000kg Unit Incorporating  
2 Units - 8 Falls**