

# 196 SERIES ULTRA LOW HEADROOM HAND CHAIN HOISTS

## Capacities From 1000kg to 25000kg

Manual chain hoists of special designs are needed when it is not possible to use standard hoists, i.e. lack of space available or special environmental conditions. Morris can offer the 196 Series Ultra Low Headroom Hand Chain Hoist configuration for these purposes.

### Optional Spark Resistant & Marine Specifications

Other options Morris offer are the Ultra Low Headroom manual hoist suitable for marine or hazardous environments. These hoists meet relevant internationally recognised standards and regulations.

- Fitted with overload protection as standard
- Machined trolley wheels with roller bearings
- Zinc plated high quality loadchain to EN818-7-T
- Zinc plated handchain to DIN 766

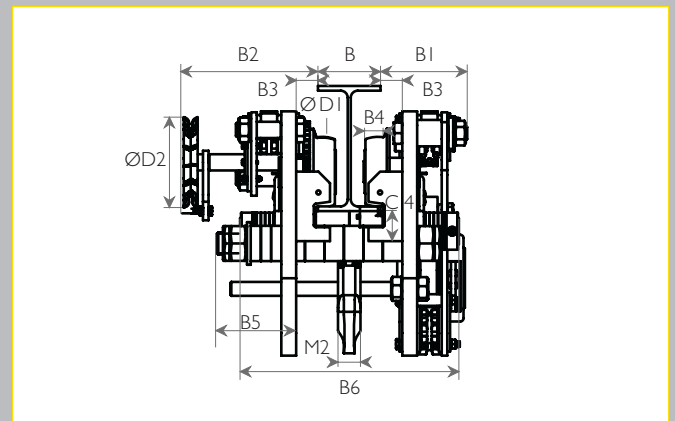
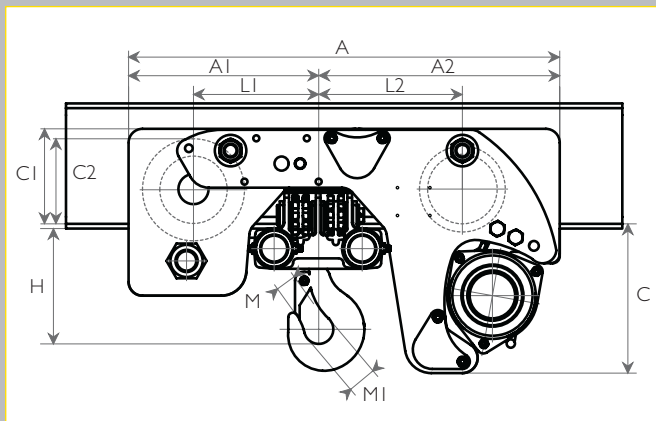
- Use in Zone I, 2I
- Upto temperature class T4
- Gas explosion group upto IIB
- Ultra low headroom

## Technical Data & Dimensions

Capacity kg	Number of Chain Falls	Chain mm	Flange Width From - To For Load Bar Size			At 30m Hand Chain Path		Hand Chain Pull For		Weight	
			Range 1 mm	Range 2 mm	Range 3 mm	Lifting Distance mm	Travel Distance m	Lifting daN	Travel daN	At 3m Track Height kg	Per m Add. Lift kg
1000		5x15	74-150	151-220	221-310	582	7.8	23	9	75	3.1
2000	2	6.3x19.1	82-156	157-210	211-306	435	9.8	36	13	145	3.8
3200	2	8x24	106-223	224-310	-	320	6.3	42	10	225	4.8
5000	2	8x24	119-215	216-312	-	160	6.5	35	12	370	7.6
6300	4	8x24	119-215	216-312	-	160	6.5	43	15	370	7.6
10000	4	16x45	155-310	-	-	35	4	19	28	1020	14.7
16000	2	16x45	185-310	-	-	18	4	19	28	1625	26.1
20000	4	16x45	185-310	-	-	18	4	19	28	1660	26.1
25000	4	16x45	300-310	-	-	18	4	19	28	1680	26.1

Capacity kg	Dimensions (mm)																									
	A	A1	A2	B1	B2	B3	B4	B5 Range			B6	B7	C	C1	C2	C4	D1	D2	H (1)	L1	L2	M	M1	M2		
1000	565	233	332	132	272	40	20	130	176	188	456	456	548	7	214	127	82	28	65	135	140	160	190	30	40	27
2000	670	265	405	157	335	43	23	136	185	223	486	486	582	10	293	167	107	28	85	135	163	170	235	36	48	35
3200	805	325	480	178	265	48	28	243	211	-	516	603	-	13	326	199	150	43	120	195	193	200	265	42	56	45
5000	930	410	520	187	268	47	33	188	189	-	472	568	-	15	323	204	185	43	150	195	239	270	310	45	63	53
6300	930	410	520	187	268	47	33	188	189	-	472	568	-	15	323	204	185	43	150	195	239	270	310	45	63	53

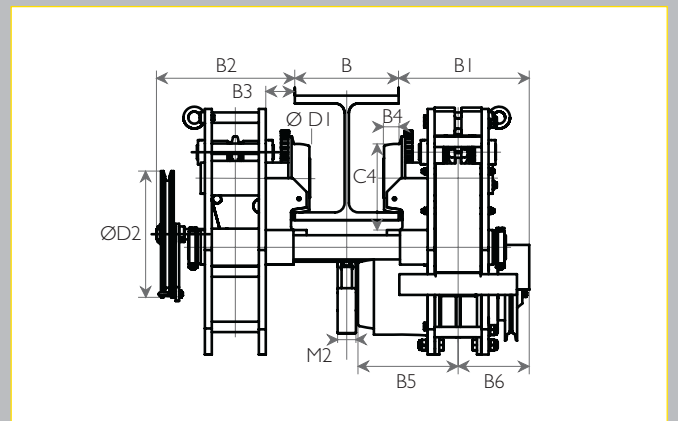
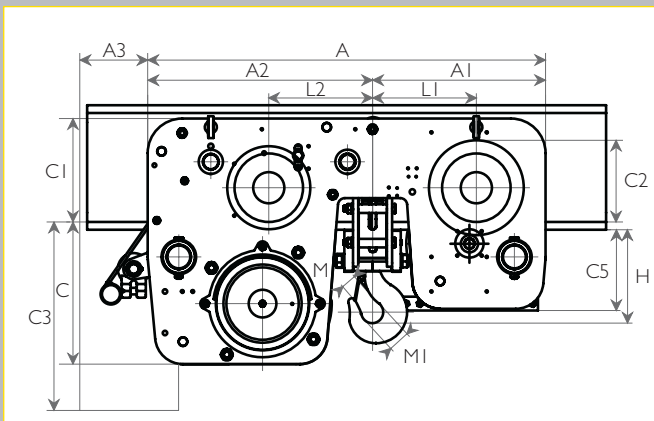
(1) Supplied with ball bearing load hook from 5000kg upwards.





## Technical Data & Dimensions

Capacity kg	Dimensions (mm)																							
	A	A1	A2	A3	B1	B2	B3	B4	B5	B6	C	C1	C2	C3	C4	C5	D1	D2	H	L1	L2	M	M1	M2
10000	1150	500	650	350	381	400	84	45	273	209	425	300	236	530	51	250	198	365	270	300	300	45	63	53
16000	1465	665	800	350	381	400	85	62	273	209	335	410	341	530	44	305	298	440	392	400	400	55	90	80
20000	1465	665	800	350	381	400	85	62	273	209	335	410	341	530	44	305	298	440	420	400	400	55	90	80
25000	1465	665	800	350	381	400	85	62	273	209	335	410	341	720	44	305	298	440	472	400	400	69	100	90



10,000 - 25000kg SWL