

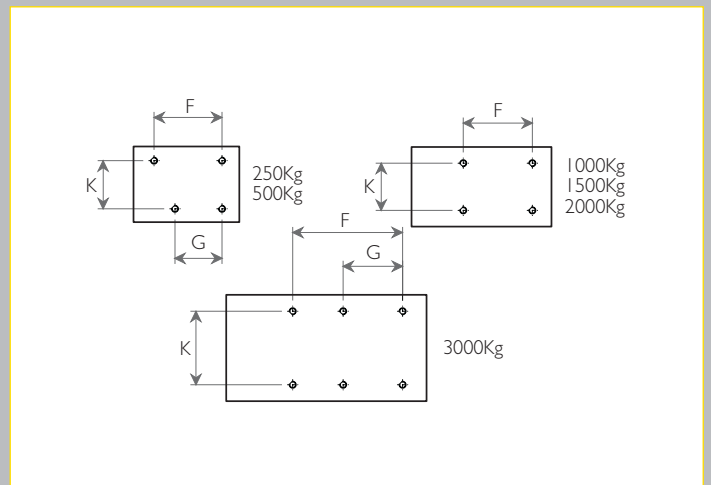
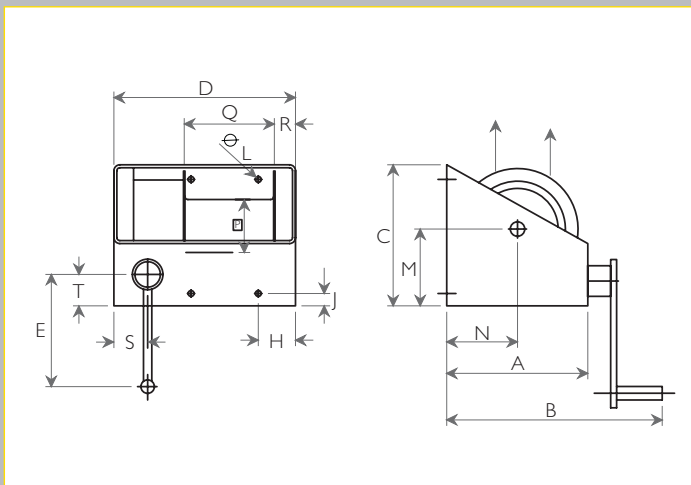
MORRIS PL MANUAL WINCHES

Two Designs With Capacities From 150kg To 3000kg Across 11 Models

The Wormgear Winch (WG) is available in capacities from 250kg to 3000kg. High capacity models are fitted with a dual speed feature as standard, which allows rapid lifting of light loads. Supported within a robust one piece steel frame, the drum winch can accept upto 40m of wire rope. The drum incorporates a freespooling release catch (except the 250kg model) which allows rapid manual rope pay out. It is driven through a worm gear mechanism which incorporates a heavy duty ratchet brake.

The Morris Spur Gear Winch (SG) is available in capacities from 150kg to 2000kg. This versatile design offers a choice of fixing positions and alternative 'payoff' directions. The spurgear driven drum incorporates a freewheel release catch which allows rapid manual rope payout and the load is retained by the heavy-duty brake.

- Capacities from 150kg - 3000kg
- Robust - easy to use design
- Freespooling release catch
- Smooth operation
- Automatic brake
- Rapid winding facility
- Adjustable crank length for maximum mechanical advantage
- High quality gears and braking mechanisms



Technical Data & Dimensions (mm): WG

Capacity kg	A	B	C	D	E	F	G	H	J	K	ØL	M	N	ØP	Q	R	S	T
*250	150	330	150	200	240	137	100	25	15	118	4Ø11	89	75	60	100	24	41	34
500	180	360	180	260	240	182	130	32	18	142	4Ø13	109	90	70	145	30	51	37
1000	300	490	300	300	340	167	-	32	21	250	4Ø17	180	146	101	176	30	63	50
1500	300	490	300	300	340	167	-	32	21	250	4Ø17	180	146	101	176	30	$\frac{63}{128}$	50
2000	345	540	345	405	340	260	-	40	25	295	4Ø21	222	168	121	275	40	$\frac{58}{123}$	58
3000	525	700	460	510	340	390	195	70	40	380	6Ø25	325	173	168	300	55	$\frac{70}{135}$	70

Do not use the second speed when the winch is loaded

Capacity kg	Speed	Rope Dia. mm	Max Length m	Number Of Layers	Crank Force	Lift Per Crank Revolution	Weight
*250	1	5	20	4	11	21	9
500	1	6,8	25	4	12	15	15
1000	1	9	35	4	14	12	38
1500	2	11,5	20	3	12	7	41
2000	2	13	30	3	15	8	70
3000	2	15.8	40	3	12	4	150

* The 250kg has no release catch

Technical Data & Dimensions (mm): SG

Capacity kg	A	B	C	D	E	F	G	H	J	K	ØL	M	N	ØP	Q	R	S	T	U	V	W	X
150	180	325	150	150	340	154	114	13	18	114	7Ø9	75	90	55	67	43	132	-	18	24	75	90
300	240	385	200	200	240	200	155	20	28	144	7Ø13	96	84	75	107	25	184	250	23	28	54	75
500	240	385	200	200	240	200	155	20	28	144	7Ø13	96	84	75	107	25	184	250	23	28	54	75
1000	412	485	300	300	340	370	-	21	32	236	4Ø17	145	130	101	176	35	-	422	-	-	60	108
2000	500	585	325	405	340	440	-	30	40	325	4Ø21	155	145	130	250	35	-	510	-	-	63	108

Capacity kg	Speed	Rope dia. mm	Max length m	Number of layers	Crank force	Lift per crank revolution	Weight
150	1	4	22	6	15	185	6
300	1	5	40	6	10	32	16
500	1	6,8	20	4	13	33	16
1000	1	9	35	4	12	16	44
2000	1	13	30	3	13	9	80

