

## Experience Complete Innovation

The S3 minihoist lifts loads up to 125kg - yet weighs only 12kgs. With an M4 (FEM I AM) high duty rating, the lightweight minihoist is easy to install and maintain, making it ideal for light crane systems. The minihoist offers the highest levels of build quality and reliability. Our two year warranty, repair and full after-sales service will allow you to use this excellent product with confidence.

### Features and benefits

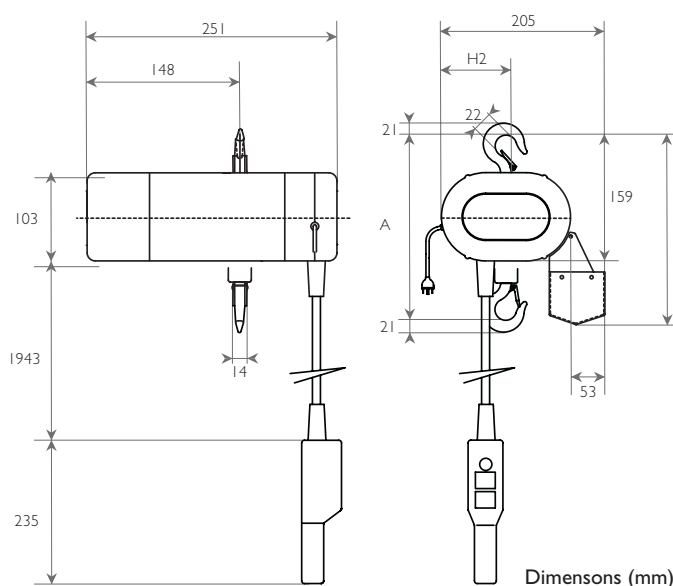
- M4 (FEM I AM) Duty, 40% ED, 240 motor-starts per hour.
- Easy installation and maintenance.
- Overload protection device as standard.
- 10-pocket load wheel for smooth chain operation, constant chain speed and reduced chain wear.
- Optional impact-resistant chain container
- Gear train lifetime lubricated with non-oxidising grease.
- Thermally protected hoist motor.
- Rugged cast aluminium alloy body.
- 5:1 factor of safety.
- Small, compact design.
- Hardened forged steel lower hooks with safety latch rotates 360°
- Two year warranty.
- IP54 Protection.
- 12kg in weight.
- Drawn up dimension, 276mm
- Available for 400v 3ph 50hz, 110v & 230v 1ph 50hz supplies.



Voltage (V)	Hoist Speed m/min	Power kW	Hoist Motor Current		ED% Rating
			Starting (A)	Running (A)	
400v3ph	4	0.25	2	0.65	40%
400v3ph	10	0.25	2.4	0.8	40%
230v1ph	4	0.1	4.2	1.4	40%
110v1ph	4	0.08	10.2	3.4	40%

Chain Box	Max Height of Lift (metres)		Weight kg at 3m Track Height
	Single fall		
Size 1	3.05	0.45	
Size 2	6.1	0.63	
Size 3	12.2	0.63	
Size 4	24.4	0.63	
Size 5	36.6	1	

Capacity	125kg one
No. of Falls	
Dimensions	
A	276
B	76
C	75
D	99



Specifications subject to change without notice.